

# SONIFEX

Redbox RB-DSS10  
10 Way Stereo Digital Source Selector

2014-15  
Catalogue





## RB-DSS10 10 Way Stereo Digital Source Selector



**Category:** Mixers, Source Selectors & Switchers.

**Product Function:** 10 stereo digital input source selection unit to 1 stereo output.

**Typical Applications:** Switching the broadcast output from digital mixers in multiple studios.

**Features:**

- Both AES/EBU & S/PDIF I/O.
- Individual channel gain controls.
- Optional channel selection via remote control.
- Front panel selection inhibit.
- Headphone monitoring of output.
- Routing of remote inputs with selected audio channel.

The RB-DSS10 digital source selector is a 1U rack-mount which produces an AES/EBU and S/PDIF level digital audio output from 10 selectable AES/EBU or S/PDIF digital input signals. There are 10 illuminated front panel push-buttons, which select and indicate the current channel selection. The selection and indication is also available through a remote connector on the rear panel. To stop accidental front panel selection there is a remote input to inhibit the front panel buttons.

The digital receivers in this unit are fully 24 bit, 96kHz capable. When an input is selected from the front panel, or remotely, the unit will attempt to capture the incoming signal on either the AES/EBU or the S/PDIF signal inputs, with priority given to the AES/EBU input. If the AES/EBU signal becomes locked while the S/PDIF signal is routed, the unit will automatically switch to the incoming AES/EBU signal.

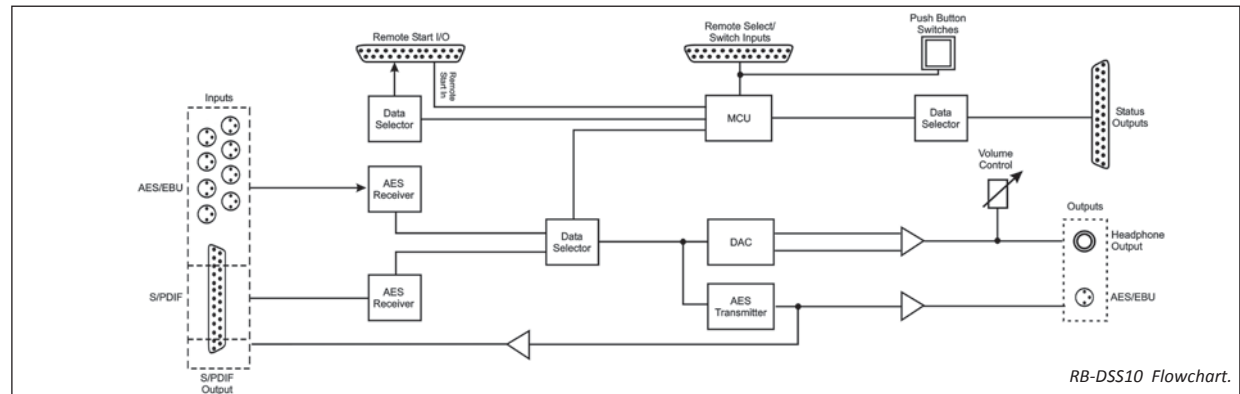
Once the receiver has successfully locked to a digital input, the LED illuminates, the tally is made, and the audio is routed simultaneously to both the digital audio outputs and converted to analogue for monitoring on the front panel

headphone socket. If the incoming audio signal is not present, the push-button LED and remote tally flash to indicate that the incoming digital signal is missing.

The headphone output has its own volume control, which is independent of the level adjustment for the main outputs, and has a maximum output level of +12dBu.

As well as routing the selected audio signal, the unit will also route a remote signal input through the remote connector to the selected input source, for starting external audio equipment, such as a CD player.

There is a designation strip on the front panel, useful for giving the buttons a meaningful description.



RB-DSS10 Flowchart.



The LED on the front panel is used to indicate that power is present on the unit. However, it also has a secondary role to indicate whether the selected channel is routing the AES/EBU (red LED) or S/PDIF input (amber LED).

### Specification For RB-DSS10

#### Audio Specification

Input Impedance:	110Ω ±20% balanced (AES/EBU) 75Ω ±5% unbalanced (S/PDIF)
Output Impedance:	110Ω ±20% balanced (AES/EBU) 75Ω ±5% unbalanced (S/PDIF)
Signal Level:	3V/10V peak to peak min/max (AES/EBU) 0.5V ±20% peak to peak (S/PDIF)
Sample Freq Range:	30-100kHz (i.e. including 32kHz, 44.1kHz, 48kHz, 64kHz, 88.2kHz and 96kHz), following input signal
Bit Depth:	Up to and including 24 bits, following input signal
Max Headphone Output Level:	+12dBu

#### Connections

Audio Inputs:	8 x AES/EBU XLR 3 pin female 2 x AES/EBU (part of 1 x 25 way D-type plug) 10 x S/PDIF (part of 1 x 25 way D-type plug)
Audio Outputs:	1 x AES/EBU XLR 3 pin male 1 x S/PDIF (part of 1 x 25 way D-type plug)
Remote Start I/O:	1 x 25 way D-type plug (male)
Remote Input Select & Switch Inputs:	1 x 25 way D-type socket (female)
Status Outputs:	1 x 25 way D-type socket (female)
Headphone Outputs:	6 x ¼" (6.35mm) A-gauge 3-pole stereo jack sockets

Mains Input:	Filtered IEC, continuously rated 85-264VAC @ 47-63Hz, max 10W
Fuse Rating:	Anti-surge fuse 1A 20 x 5mm
<b>Equipment Type</b>	
RB-DSS10	10 way stereo digital source selector
<b>Physical Specifications</b>	
Dimensions (Raw):	48cm (W) x 10.8cm (D) x 4.2cm (H) (1U) 19" (W) x 4.3" (D) x 1.7" (H) (1U)
Dimensions (Boxed):	58.5cm (W) x 22.5cm (D) x 7cm (H) 23" (W) x 8.9" (D) x 2.8" (H)
Weight:	Nett: 1.6kg Gross: 2.2kg Nett: 3.5lbs Gross: 4.8lbs

# **SONIFEX**

[www.sonifex.co.uk](http://www.sonifex.co.uk)

---

## **UK Office:**

### **Sonifex Ltd**

61 Station Road, Irthlingborough,

Northants, NN9 5QE, UK

Tel: +44 (0) 1933 650700

Fax: +44 (0) 1933 650726

Email: [sales@sonifex.co.uk](mailto:sales@sonifex.co.uk)

## **Australian Office:**

### **Sonifex Pty Ltd**

Unit 12/6 Leighton Place, Hornsby,

New South Wales 2077, Australia

Tel: +61 (2) 9987 0499

Fax: +61 (2) 9476 4950

Email: [sales@innescorp.com.au](mailto:sales@innescorp.com.au)